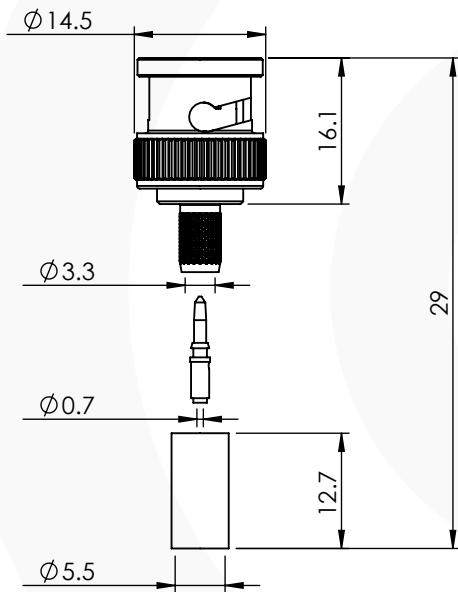


BNC STRAIGHT CRIMP/CRIMP PLUG 10-005-B36-FA



images for illustration purposes only

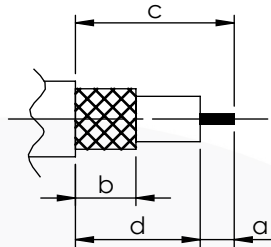
images for illustration purposes only



Suitable for Cables:

(FA) Belden 1855ENH, Draka 0.6/2.8AF, Bryant BD SD01, Image 360, Percon VK5, Conducfil 9890

Stripping Dimensions



- a = 4.0 mm
- b = 8.0 mm
- c = 16.0 mm
- d = 12.0 mm

* CUT FOIL TO DIM. "b"

Assembly Procedure: AP001

Tooling

- Centre Contact: HEX 1.72 A/F Tool No: 96-HTS-75
- Crimp Sleeve: HEX 5.41 A/F Tool No: 96-HTS-75

Environmental Specification

- Operating Temp: -55 to +155 Deg C.
- IP Rating (Mated): IP 64

Electrical Specification

- Impedance: 75 Ohm
- Frequency: 0 - 4.5 GHz
- Dielectric W/V: 1500 Veff
- Insulation res: 5000 M-Ohm
- Surpasses SMPTE 424M for 3G-SDI

Mechanical Specification

- Contact Retention: 10 N min
- Cable Retention: 100 N min
- Mating cycles: 500
- Weight: 9.70 g

Connector Interface

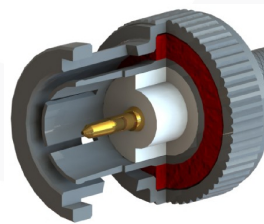
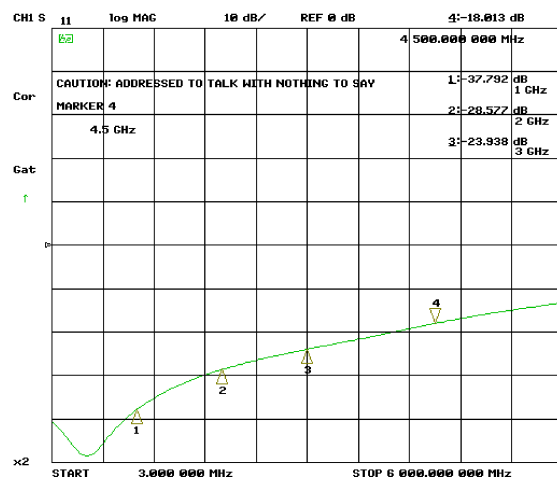


image for illustration purposes only

Performance

- 37.79 dB @ 1.0 GHz
- 28.58 dB @ 2.0 GHz
- 23.94 dB @ 3.0 GHz
- 18.01 dB @ 4.5 GHz

Return Loss Graph



7	WASHERS	SK5	NICKEL
6	BAYONET CAP	ZINC	NICKEL
5	GASKET	SILICONE	N/A
4	CRIMP SLEEVE	BRASS	NICKEL
3	INSULATOR	PTFE	N/A
2	CENTRE CONTACT	BRASS	GOLD
1	BODY	BRASS	NICKEL
ITEM	DESCRIPTION	MATERIAL	PLATING

A4	SHEET 1 OF 1	DIMENSIONS ARE IN MILLIMETRES		
REVISION :	B02	NAME	SIGNATURE	DATE
ISSUE :	4	DRAWN	GE	07/04/2011
		CHK'D	IG	07/04/2011
		APPV'D		
6-8 COLNE ROAD, TWICKENHAM, MIDDLESEX. TW1 4JR				
THE INFORMATION IS GIVEN AS AN INDICATION ONLY AND IS SUBJECT TO CHANGE WITHOUT NOTICE. IN THE CONTINUAL GOAL TO IMPROVE OUR PRODUCTS, WE RESERVE THE RIGHT TO MAKE ANY MODIFICATIONS NECESSARY WITHOUT PRIOR NOTICE.				